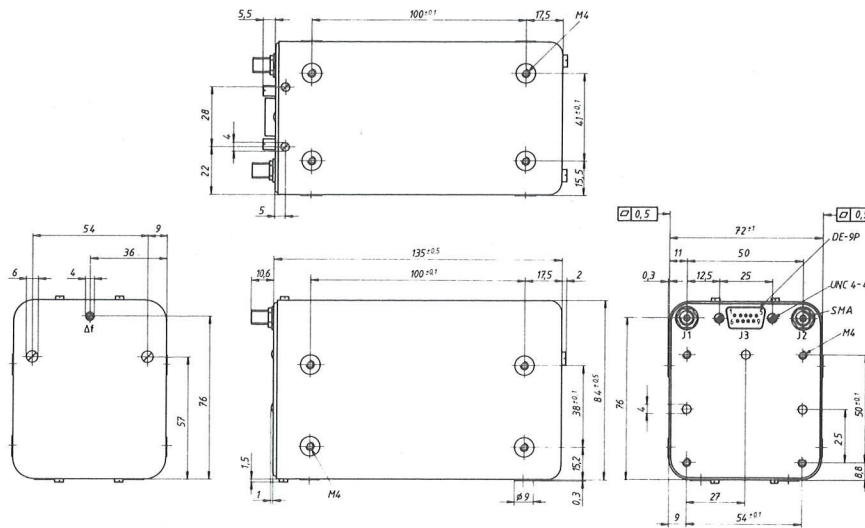


## MECHANICAL DATA

Dimensions in mm

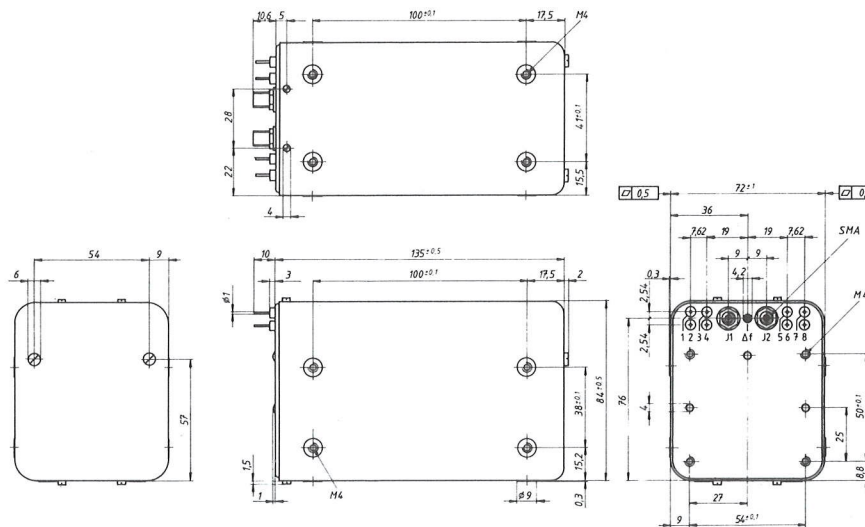
### MODELS 8600 / 8600 OPTION 03



#### ELECTRICAL CONNECTIONS

- J1: 0.5 V / 50 Ω
- J2: 0.5 V / 50 Ω
- J3/1: thermistor
- J3/2: 0 V (GND)
- J3/3: ground
- J3/4: CCW pot.
- J3/5: VC input
- J3/6: thermistor
- J3/7: +24 V
- J3/8: NC
- J3/9: CW pot.

### MODELS 8601 / 8601 OPTION 03



#### ELECTRICAL CONNECTIONS

- J1: 0.5 V / 50 Ω
- J2: 0.5 V / 50 Ω
- 1: +24 V
- 2: thermistor
- 3: 0 V (GND)
- 4: thermistor
- 5: VC input
- 6: CW pot.
- 7: CCW pot.
- 8: ground

## MAINTENANCE AND SERVICE POLICY

OSA's customers rely on an efficient, highly qualified and well-equipped group of people to resolve any problem that may occur in the field. Supervised by the quality control manager, our after-sales-service specialists have proved that high performance components and equipment can be reinstalled within a very short time.

To OSA, after-sales-service means that the customer enjoys full support after his purchase is made. Services such as on-site installation, operator training and maintenance are all part of this assistance.

We offer maintenance contracts to our standards and systems customers that represent OSA's commitment to keep equipment operating in the field in the best working condition.

Detailed information on:

- maintenance contract
- repair estimate
- availability of loaners during the repair time can be obtained by contacting OSA customer service department.

## ORDERING INFORMATIONS

- 8600:** standard version, short-term stability,  $\sigma\tau \leq 1 \times 10^{-12}$  for  $\tau$  of 0.1 to 10 sec, 2 SMA and 1 DE - 9 P connectors
- 8600 option 03:** short-term stability,  $\sigma\tau \leq 5 \times 10^{-13}$  for  $\tau$  of 0.2 to 30 sec, 2 SMA and 1 DE - 9 P connectors
- 8601:** standard version, short-term stability,  $\sigma\tau \leq 1 \times 10^{-12}$  for  $\tau$  of 0.1 to 10 sec, 2 SMA and 8 pins connectors
- 8601 option 03:** short-term stability,  $\sigma\tau \leq 5 \times 10^{-13}$  for  $\tau$  of 0.2 to 30 sec, 2 SMA and 8 pins connectors

In accordance with our policy of continual improvement, we reserve the right to modify the design of any of our products without prior notice.